

FEDERAL SUPPLY CLASS
4730

REV.
D

RATIONALE

ADDED REVISION BLOCK, INTRODUCTORY NOTICE, TABLE 1 COLUMN E MIN MAX, AND MARKING AND DIMENSIONING NOTES, REACTIVATED MATERIAL CODE "D" AND CLARIFIED OTHER MATERIALS STATUS.

AS21902™

NOTICE

THE INITIAL SAE PUBLICATION OF THIS DOCUMENT WAS TAKEN DIRECTLY FROM U.S. MILITARY STANDARD MS21902 AND RETAINS THE SAME PART NUMBERS ESTABLISHED BY THE ORIGINAL MILITARY DOCUMENT. PROCUREMENT OF MS21902 PART NUMBERS TO THIS "AS" STANDARD MAY RESULT IN LOSS OF CONFIGURATION CONTROL WHERE DIFFERENCES IN THE CANCELLED MIL-F-18280 AND THE SUPERSEDING AS18280 PROCUREMENT SPECIFICATIONS EXIST. AS5230 IS A RECOMMENDED REPLACEMENT STANDARD THAT ELIMINATES THIS PROBLEM.

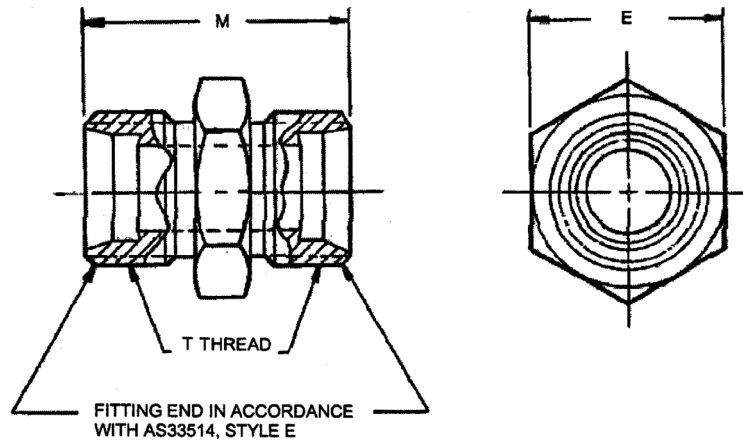


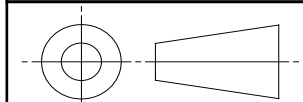
FIGURE 1 - UNION, FLARELESS TUBE

TABLE 1 - DIMENSIONS

DASH NO. /5/	NOMINAL TUBE SIZE REF	(T) THREAD AS8879	E		M	WEIGHT, LB/EA, APPROX, REF.		
			MIN	MAX		STEEL	AL ALLOY	TI ALLOY
-2	.125	.3125-24 UNJF-3A	.553	.566	1.063	.029	.013	.016
-3	.188	.3750-24 UNJF-3A	.615	.628	1.094	.031	.014	.017
-4	.250	.4375-20 UNJF-3A	.678	.691	1.063	.035	.015	.020
-5	.313	.5000-20 UNJF-3A	.740	.753	1.063	.045	.016	.025
-6	.375	.5625-18 UNJF-3A	.803	.816	1.188	.066	.023	.038
-8	.500	.7500-16 UNJF-3A	.990	1.003	1.375	.111	.040	.064
-10	.625	.8750-14 UNJF-3A	1.113	1.128	1.563	.165	.056	.095
-12	.750	1.0625-12 UNJ-3A	1.363	1.380	1.750	.281	.097	.162
-16	1.000	1.3125-12 UNJ-3A	1.613	1.630	1.750	.355	.126	.204
-20	1.250	1.6250-12 UNJ-3A	1.863	1.880	1.750	.514	.183	.296
-24	1.500	1.8750-12 UNJ-3A	2.109	2.135	1.750	.754	.277	.435
-32	2.000	2.5000-12 UNJ-3A	2.734	2.760	1.813	1.094	.402	.631

SAE values your input. To provide feedback on this Technical Report, please visit <http://www.sae.org/technical/standards/AS21902D>

THIRD ANGLE PROJECTION



CUSTODIAN: G-3/G-3B

PROCUREMENT SPECIFICATION: /11/ AS18280



AEROSPACE STANDARD

(R) UNION, FLARELESS TUBE

AS21902™
SHEET 1 OF 3

REV.
D

SAE Technical Standards Board Rules provide that: "This report is published by SAE to advance the state of technical and engineering sciences. The use of this report is entirely voluntary, and its applicability and suitability for any particular use, including any patent infringement arising therefrom, is the sole responsibility of the user." SAE reviews each technical report at least every five years at which time it may be revised, reaffirmed, stabilized, or cancelled. SAE invites your written comments and suggestions.

ISSUED 1998-03 REAFFIRMED 2015-04 REVISED 2015-12